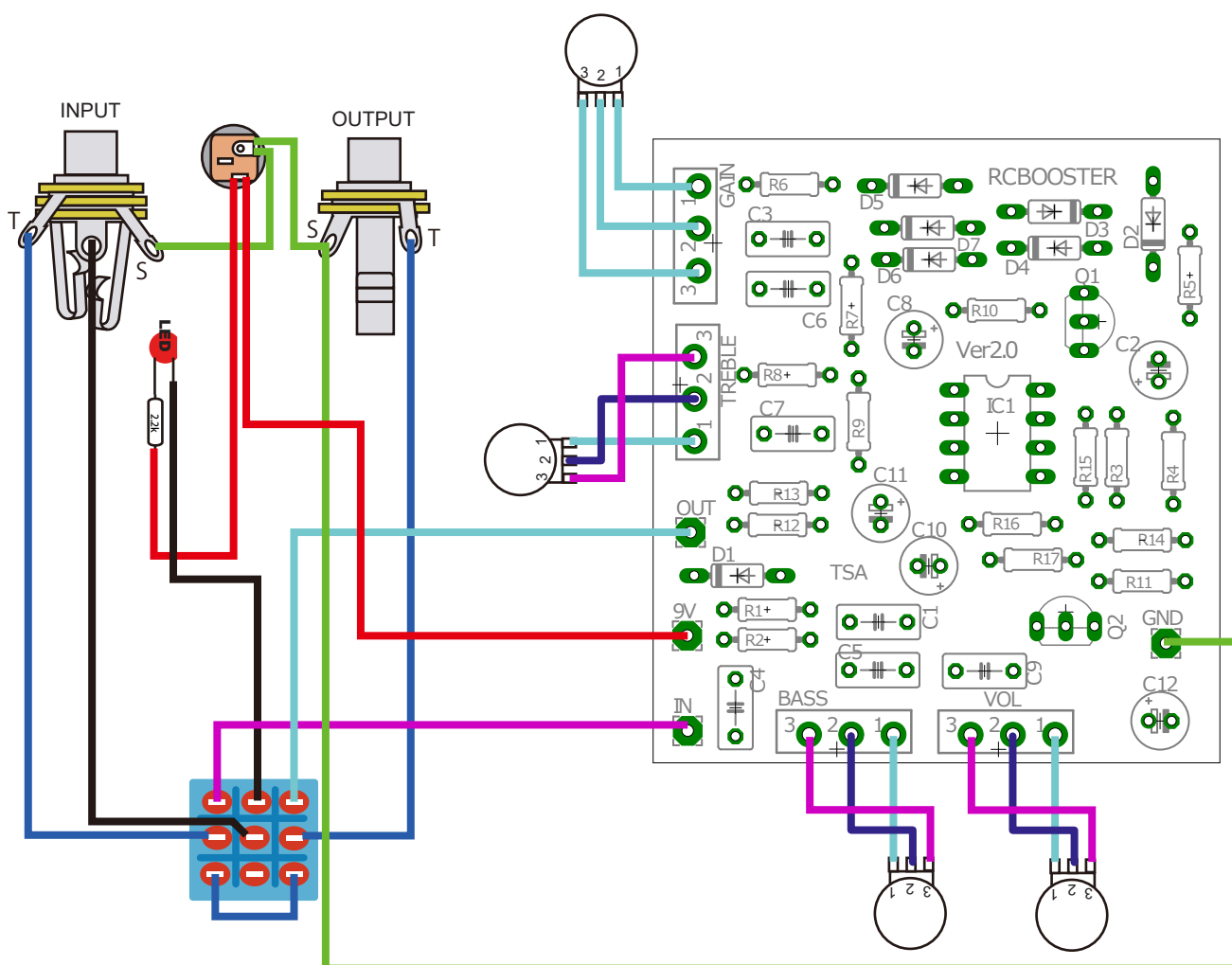


RC Booster Ver-2.0



| | | | | | | | |
|-----|------|--------|--------|-----|------------|-----|---------|
| R1 | 1M | R15 | 6.8k | C1 | 0.047u | IC1 | 4558 |
| R2 | 10k | R16 | 15k | C2 | 1uFNP (電解) | Q1 | 2SC1815 |
| R3 | 1M | R17 | 10k | C3 | 150p | Q2 | 2SC1815 |
| R4 | 10k | | | C4 | 0.033u | | |
| R5 | 22k | TREBLE | 50KB | C5 | 0.033u | | |
| R6 | 47k | VOL | 100KA | C6 | 0.0047u | | |
| R7 | 4.7k | BASS | 50KB | C7 | 0.0047u | | |
| R8 | 10k | GAIN | 250KB | C8 | 1uFNP (電解) | | |
| R9 | 33k | D1 | 1N4007 | C9 | 0.1u | | |
| R10 | 4.7k | D2 | 1N4148 | C10 | 10uF (電解) | | |
| R11 | 470k | D3 | 1N4148 | C11 | 10uF (電解) | | |
| R12 | 470R | D4 | 1N4148 | C12 | 10uF (電解) | | |
| R13 | 100k | D5 | 1N4148 | | | | |
| R14 | 22k | D6 | 1N4148 | | | | |
| | | D7 | 1N4148 | | | | |

2.1mmDCジャック(3端子)
6.35mmステレオジャック
6.35mmモノラルジャック
9ピン3PDTフットSW
8ピンICソケット
SW用LED&抵抗(2.2k~3.3k)